

Commercial TV with Multiple Use

LG Commercial Lite TVs are designed specifically for hospitality and business environments. With the use of simple user-friendly interfaces and superb images and video, the LW340C facilitates communications between businesses and their target audiences.



LW340C

- Welcome Screen/Video
- USB Cloning
- External Speaker Out
- USB Auto Playback +
- Time scheduler

screen size

32" (80cm), 43" (108cm),
49" (123cm), 55" (139cm)

Key Features



USB Cloning

A USB flashdrive can be used for cloning all hotel TVs with astonishing speed and ease. The USB Cloning feature allows you to simply copy the TV settings to all TVs using a USB flashdrive, a process that is automated to save time.



External Speaker Out

By adding an additional speaker, guests can listen to the TV sound from a second location in the guest room. Even in the bathroom, guests can hear and control the TV sound level.



USB Auto Playback+

USB Auto Playback+ allows you to create playlists from your favourite media files* then play on the TV.

*mp4, avi, mov, tp, wma, ts



Time Schedule

Create your own time schedule for your Commercial TV. Once you set opening/closing hours and holidays, the TV will turn on/off according to work schedule.

Simple & Effective Maintenance



Hotel Mode

From channel selection to energy saving features, you can control the TV settings in all the rooms with Hotel Menu. Prevent misuse by customers, set volume limits, or reset to default settings on the TV. You are in control of it all.



Lock Mode

The Lock Mode blocks external input signals as a useful feature for preventing misuse of TVs in government facilities and public spaces.



Remote Diagnostics (USB)

Enables service technicians to recognise technical issues in the TV quickly and easily through a USB device. The TV stores technical issues it encounters and can output it to a USB device. Service technicians can use the information to diagnose technical issues remotely.

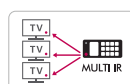
Entertainment & Convenience



Welcome Screen/Video

First impressions are important. Having a warm greeting message with the Hotel name and its logo on the TV or a customised video in various formats* will help the guest feel more welcome.

*mp4, avi, mov, tp, wma, ts



Multi IR

Multi IR function reduces the remote control signal interference between TVs in multiple dwelling beds. This system will work using the same LG TV model.



IR OUT

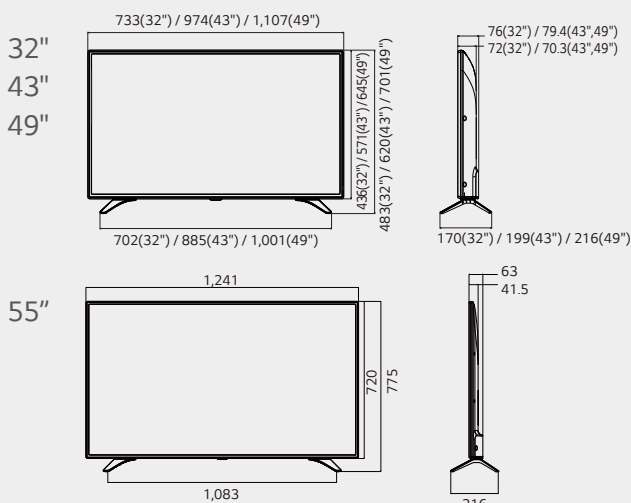
IR out allows you to control the commercial LG TV and set top box via RS232 using one IR remote.

Specifications

LW340C

		32" (80cm)	43" (108cm)	49" (123cm)	55" (139cm)
DISPLAY	Type	Direct LED			Edge LED
	Resolution	1,366 X 768 (HD)	1,920 x 1,080 (FHD)		
	Brightness	300cd/m ²			
BROADCASTING SYSTEM	Analogue	PAL / SECAM			
	Digital	DVB-T2/C/S2 (Varied By Countries)			
VIDEO	Triple XD Engine	•			
	Real Cinema 24p (3:3 Pull down)	•			
	Aspect Ratio	6 modes (16:9, Original, 4:3, Vertical Zoom, All-Direction Zoom, Just Scan)			
AUDIO	Audio Output / Speaker System	10W + 10W / 2.0 ch			
	Sound Mode	• 6 modes (Standard, News, Music, Cinema, Sport, Game)			
	Clear Voice	•			
GENERAL FEATURES	Management	Remote Diagnostics (USB)			
	Interactivity	HTNG / HDMI-CEC			
	RJP Interface	RS-232C, HDMI-CEC			
	Advanced Settings	Auto Off / Auto Sleep, Motion Eye Care, Smart Energy Saving			
	Anti-theft System	Kensington Lock			
COMMERCIAL FEATURES	Welcome Screen/Video, Lock Mode, Hotel Mode, Multi-IR Code, USB Cloning, One Channel Map, External Speaker Out, USB Auto Playback+, Time Scheduler				
INTERFACE	Side	Headphone Out (1), HDMI In (1), USB 2.0 (1), CI Slot (1)			
	Rear	RF In (2), AV In, Component In (Audio, RCA5), Optical Audio Out, HDMI/HDCP Input (1), RGB In (1), RS 232C (1), External Speaker Out (1)			
CABINET (Unit : mm)	Vesa	200mm x 200mm		300mm x 300mm	
	Bezel Width (L/R,U,B) : On bezel based	14.1, 13.6, 19.1	12.1, 12.1, 15.1		12.9, 12.9, 15.9
	Bezel Width (L/R,U,B) : Off bezel based	11.6, 11.1, 16.6	9.8, 9.8, 12.8		10.4, 10.4, 13.4
	W x H x D / weight (w/o stand)	733 x 436 x 72.2 (SPK 76.3) / 4.94kg	974 x 571 x 70.3 (SPK 79.4) / 9.2kg	1,107 x 645 x 70.3 (SPK 79.4) / 12kg	1,241 x 720 x 41.5 (SPK 63.0) / 16.3kg
	W x H x D / weight (with stand)	733 x 483 x 170 / 5.08kg	974 x 620 x 199 / 9.45kg	1,107 x 702 x 216 / 12.1kg	1,241 x 775 x 216 / 16.6kg
POWER (Unit: Watts)	Voltage, Hz	100-240V, 50 / 60 Hz			
	Max	59	80.5	89.7	114
	Typical	34.2	56.8	66.2	90
	Stand-by	0.23	0.22	0.21	0.2
STANDARD (CERTIFICATION)	Safety	AS/NZS 60065, CB Scheme			
	EMC	AS/NZS CISPR, 32-RCM			
	Energy Rating	32LW340C - 83kWh/year and 7 stars 43LW340C - 131kWh/year and 7 stars 48LW340C - 171kWh/year and 7 stars 55LW340C - 209kWh/year and 7 stars			

Dimensions (Unit : mm)



Connectivity

- ① HDMI IN 1
- ② OPTICAL DIGITAL AUDIO OUT
- ③ RS-232C IN
- ④ RGB IN(PC)
- ⑤ COMPONENT IN / AV IN
- ⑥ EXTERNAL SPEAKER OUT
- ⑦ LNB Satellite IN
- ⑧ ANTENNA / CABLE IN
- ⑨ H/P OUT
- ⑩ HDMI IN 2
- ⑪ USB IN

